



FALCON RIDGE

2515 Bypass Rd. Flemingsburg, KY 41041

606-845-7439

Instructions for Installation and Care of

Polaris RZR Trail S

Soft Door Kit

PO-RZR-TRS-SDK01

CAUTION: Do not smoke inside the cab or expose the enclosure to direct flames. Product is FLAMMABLE. Be sure to read these instructions thoroughly before opening and installing the enclosure. The installation is best done when ambient temperature is 70°F or warmer. If installed in cold weather, warming the adhesive Velcro strips before installation is recommended.

1. Carefully open the carton and remove the rolled up Cab Enclosure on a large flat surface that is clean and free of dirt or other material that may soil or scratch the windows of the Cab.
2. Check over the parts included in the carton with the parts list shown below:

Doors:

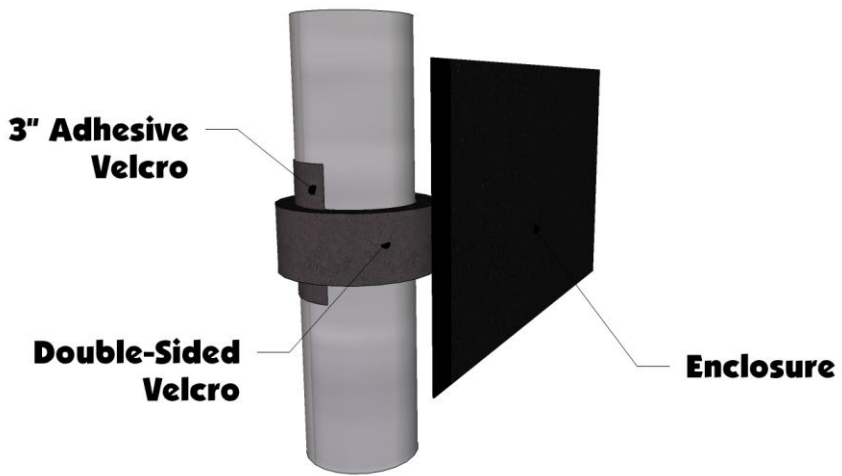
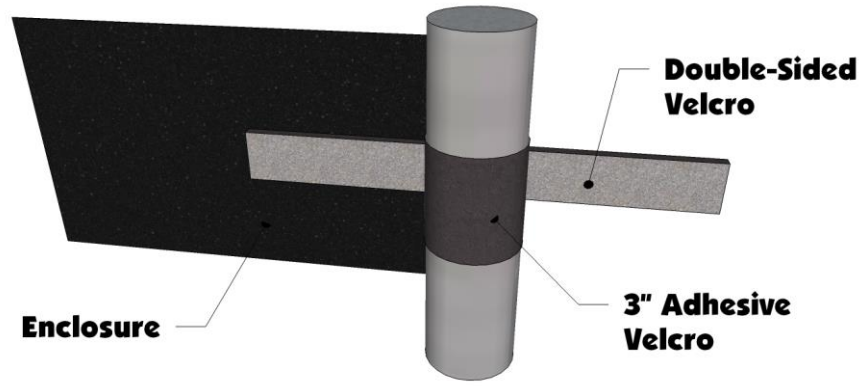
Velcro Hook strips:

“	“	2 each	12” long
“	“	2 each	8” long
“	“	2 each	5” long
“	“	18 each	3” long

Snap studs	16 each (2 extra)
Door Panels	2 each

3. Door Panels

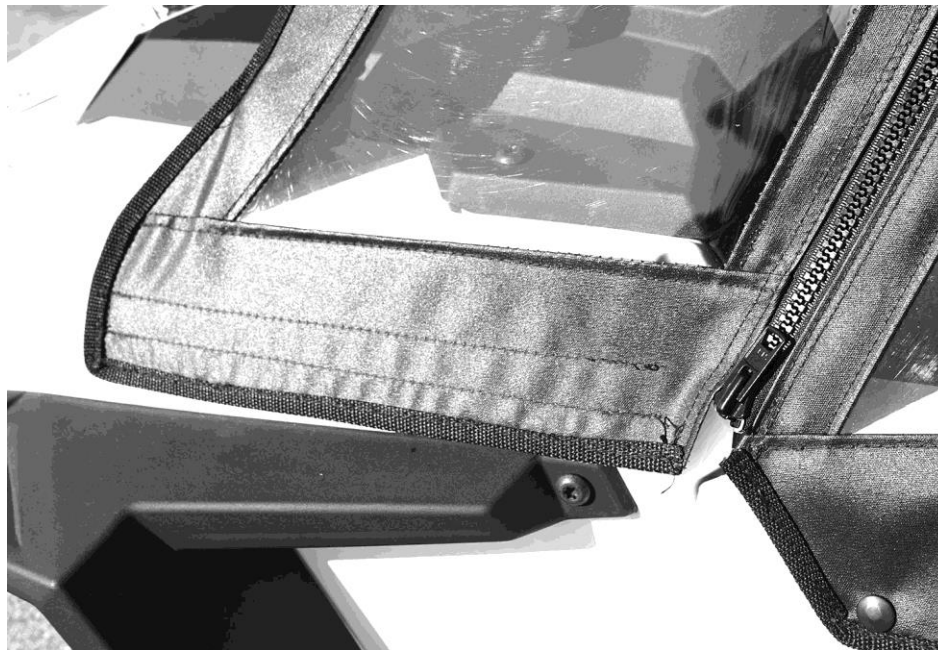
- a. Begin installation by hanging the Door Panels from the top by using the 3” adhesive Velcro strips as shown in the photos on the next page:



- b. After installing the double-sided strips move to the rear of the door and attach the two Velcro tabs to the rear bar using the corresponding adhesive Velcro strip. See Photo Below:



- c. Next install the 12” adhesive hook strip to match up with the bottom of the front wing of the door as shown in the photo below.



- d. Lastly snap the bottom of the door to the plastic doors on the RZR. NOTE: it helps to place the screw snaps into the sockets on the cabs first, then starting at the top one, push them into the plastic so a small dimple is left behind. Then pull the screw snap back out and screw it into the plastic where the mark was made. See photo below



Cleaning and Storage Recommendations:

1. Before removing the Over Armour for storage, make sure it is very clean in order to prevent scratching of the window panels. Clean with a soft rag or sponge using a mild liquid detergent soap and warm water solution. Never rub the windows with a dry cloth or rag! Let the Cab dry thoroughly before attempting to roll for storage.
2. It is important that the Cab be rolled up for storage rather than folding. Folding will cause damage to the windows!!! Carefully roll up the Cab similar to the way it was when it was packed at the factory. On a large, clean and flat surface, fold the doors over the rear panel first, then, interleave the top and windshield on top of the doors. Begin rolling the Cab into a roll approximately 8 inches in diameter. Put the rolled Cab back into the carton for storage at a normal room temperature. It is best not to expose the Cab to either extreme hot or cold temperatures when storing.
3. A special cleaner conditioner is available from Over Armour that will greatly increase the service life of the Cab Enclosure. In addition, if additional hook and loop sets are needed, they can also be ordered.