



FALCON RIDGE

2515 Bypass Rd. Flemingsburg, KY 41041

606-845-7439

Instructions for Installation and Care of

CF Moto Z-Force 950

Polycarbonate Rear Window

CF-Z950-RW02

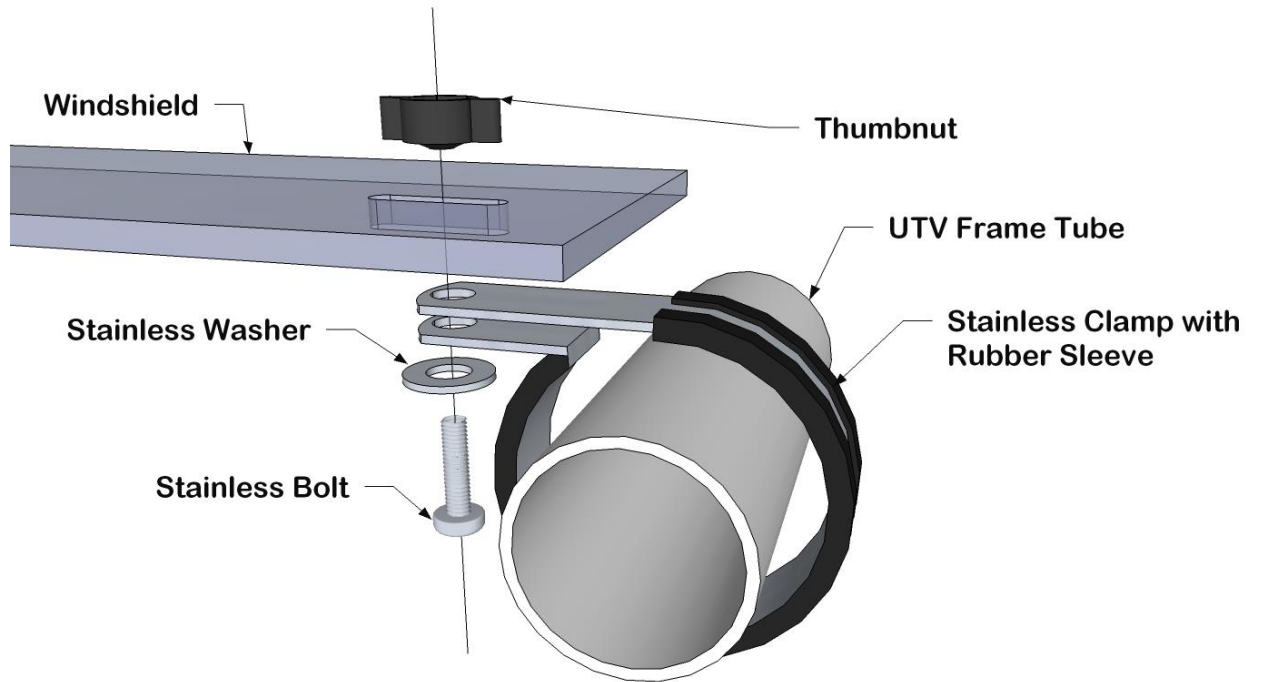
NOTICE: Please check contents of package for any damage and make sure all parts fit correctly and you are happy with the product before removing protective film. Once the film is removed you cannot return the product for a full refund.

1. Be sure to read these instructions thoroughly before opening and installing the Wildcat Trail / Sport Polycarbonate Rear Window.
2. Check over the parts included in the cartons with the parts list shown below:

1 ¾" Loom Clamps	6 each
1" Bolts	6 each
Thumb Nuts	6 each
Small Washers	6 each
End Bulb Gasket	35" piece
Rear Window	1 each

3. Start by pulling it out of the box, find a clean area to lay it down, and install the hardware. Peel off the protective film from both sides of the Rear Window. Next install the rubber gasket along the bottom of the window.
4. Take the six Loom clamps and place them around the roll cage at each of the slots on the sides and across the top as shown in the photo below.





5. Now you are ready to take it out and enjoy. To clean the windshield, always clean using a liquid of some sort to decrease the chance of scratches. We recommend using micro fiber cloths that are readily available at any dollar store. Any window cleaner will work fine; just remember to use a soft clean rag or micro-fiber cloth to clean it.