

2 Piece Hood Rack - Installation & Operations Manual 2009-2014 Polaris Ranger Midsize & Fullsize with Round Cage Tubes



Installation information:

- This product has an installation rating of: **Easy**
- Approximate installation time: **30 Minutes**
- This product is easiest to install with: **2 people**

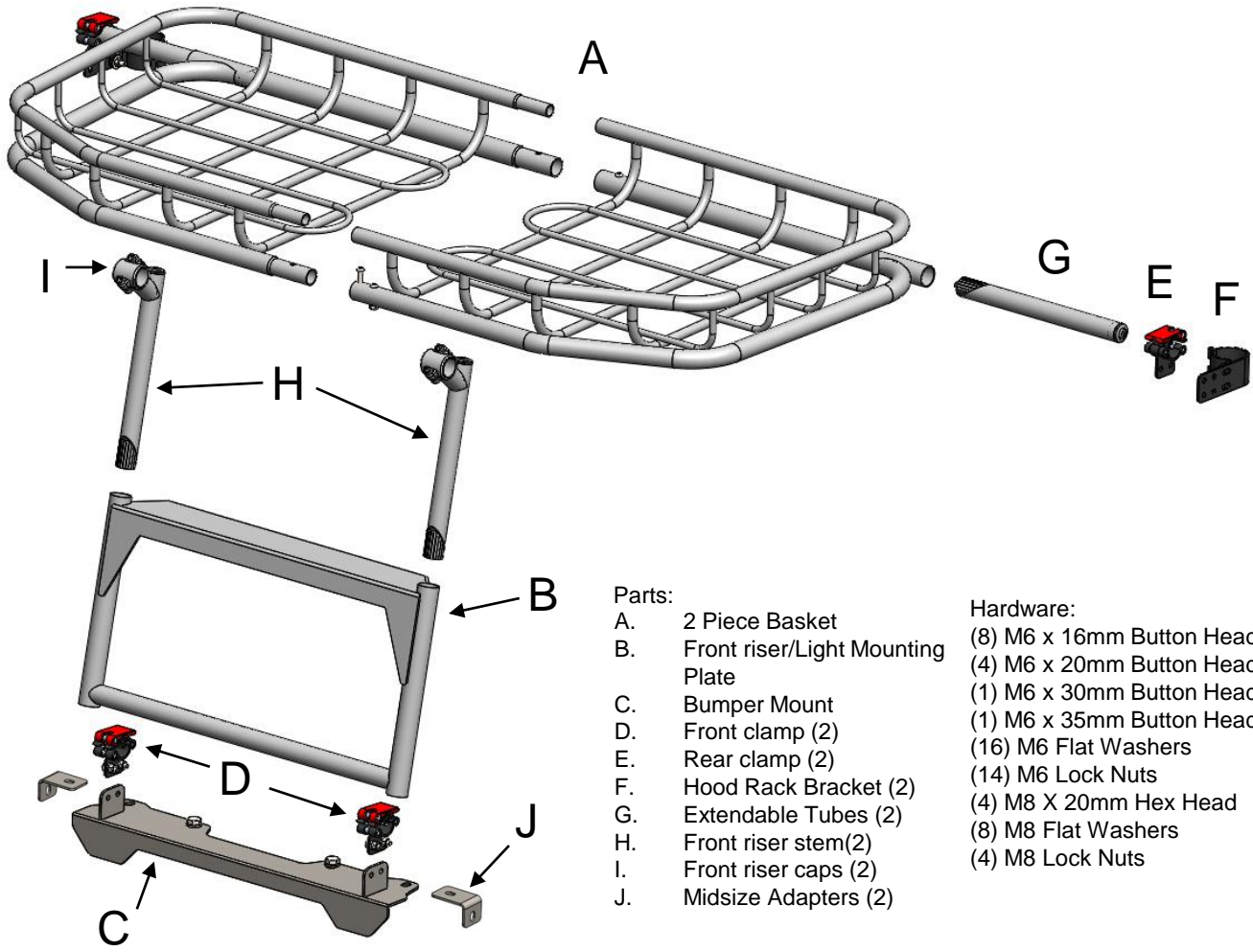
Do I have Midsize or Fullsize Ranger?
Midsize rangers do not have headrests
Fullsize rangers have headrests

Seizmik makes Windshields, Doors, Tops, Hood Racks, Brush Guards, and other great accessories for utility vehicles & side x sides. Our products are engineered tough for long life and tested under the harshest of conditions.

Always observe the warnings and precautions in this manual when using your Seizmik products. For best results, carefully follow the instructions in this manual and make no modifications.

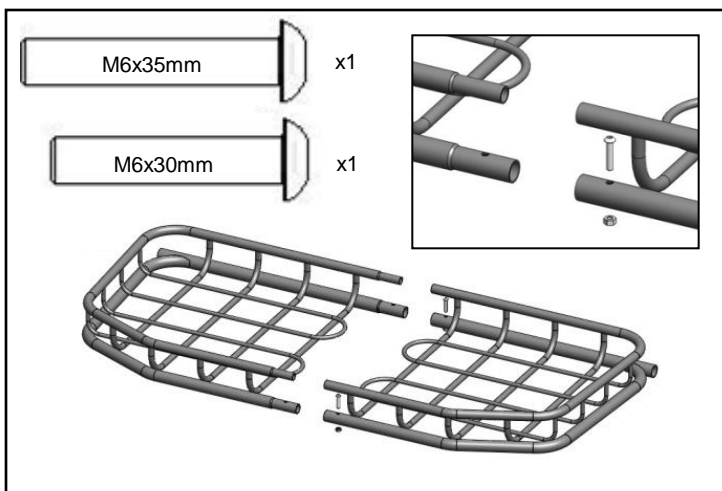
Seizmik products are designed, developed and manufactured by Vialink Corp. If you have any questions, comments, need assistance, or are missing parts, please call 1-866-838-3366 between 9:00AM and 5:00PM EST. You can email us at support@seizmik.com

Parts List

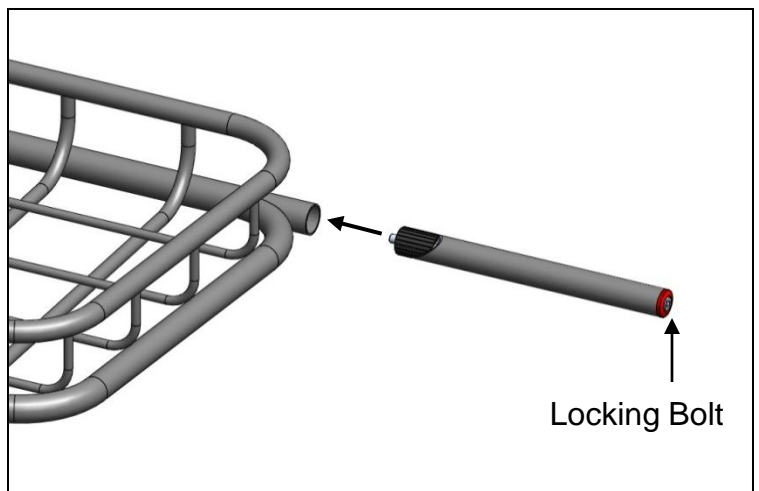


- | | |
|-------------------------------------|---------------------------------|
| Parts: | Hardware: |
| A. 2 Piece Basket | (8) M6 x 16mm Button Head Bolts |
| B. Front riser/Light Mounting Plate | (4) M6 x 20mm Button Head Bolts |
| C. Bumper Mount | (1) M6 x 30mm Button Head Bolt |
| D. Front clamp (2) | (1) M6 x 35mm Button Head Bolt |
| E. Rear clamp (2) | (16) M6 Flat Washers |
| F. Hood Rack Bracket (2) | (14) M6 Lock Nuts |
| G. Extendable Tubes (2) | (4) M8 X 20mm Hex Head |
| H. Front riser stem(2) | (8) M8 Flat Washers |
| I. Front riser caps (2) | (4) M8 Lock Nuts |
| J. Midsize Adapters (2) | |

Basket Assembly



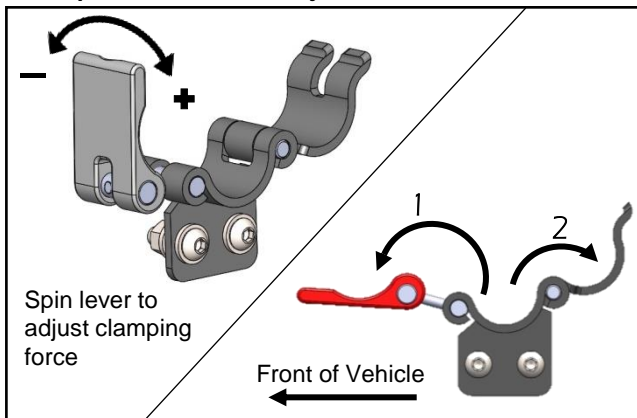
1. Assemble two sides of rack (A). Secure the larger rear tube with an M6 x 35mm Socket Head bolt and lock nut. Secure the front smaller tube with an M6 x 30mm Socket Head bolt and lock nut.



2. Insert an Extendable Tube (G) in each end of the hood rack. Push in just a few inches and tighten the locking bolt in the end of the tube just enough to hold the extending tube in place. You will make a final adjustment and tighten later.

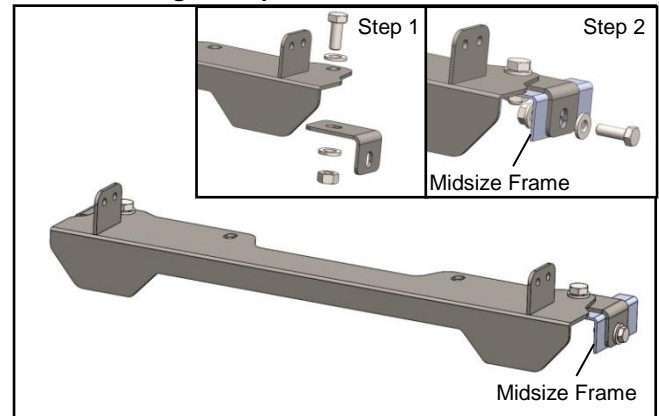
Important Notes

Clamp Orientation and adjustment



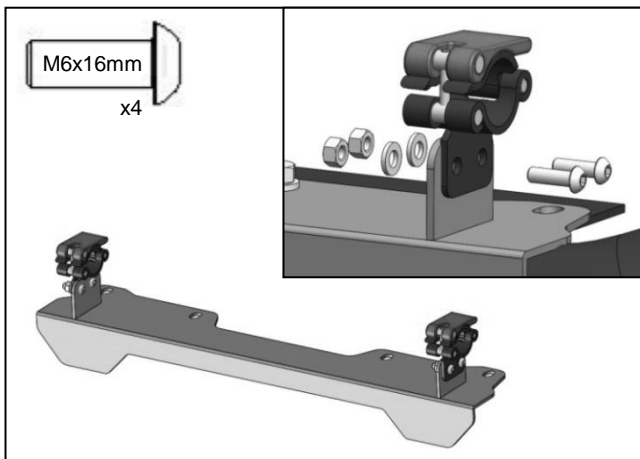
To open a clamp, lift up on both levers in the order above. Orient all clamps so the first clamp lever opens towards the front of the vehicle. To increase clamping force, spin the lever clockwise; to decrease the clamping force, spin the lever counter-clockwise before locking.

Midsize Ranger Adapter Brackets

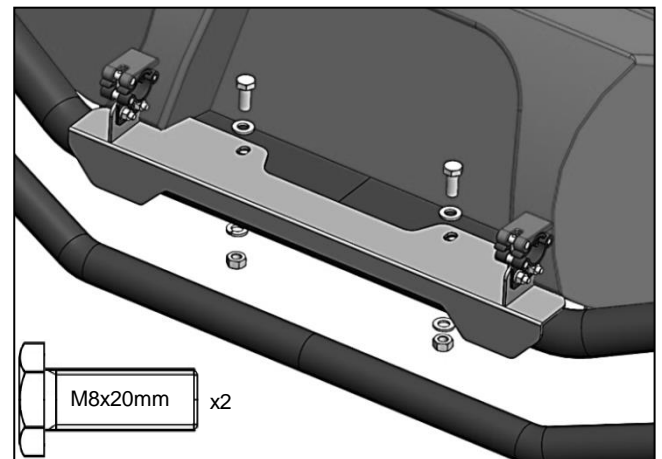


NOTE: Follow these instructions for the MIDSIZE ranger
 Step 1. Hand tighten (2) M8x20mm bolts, washers and locknuts to secure the Midsize Adapters (J) to the bumper mount. Step 2. Place bumper mount with adapter brackets on the midsize bumper. Line up the holes on the Midsize frame and secure with (2) M8x20mm bolts. Tighten all 4 fasteners. Skip this step if you have a full size ranger.

Bumper Mount and Front Clamp Assembly

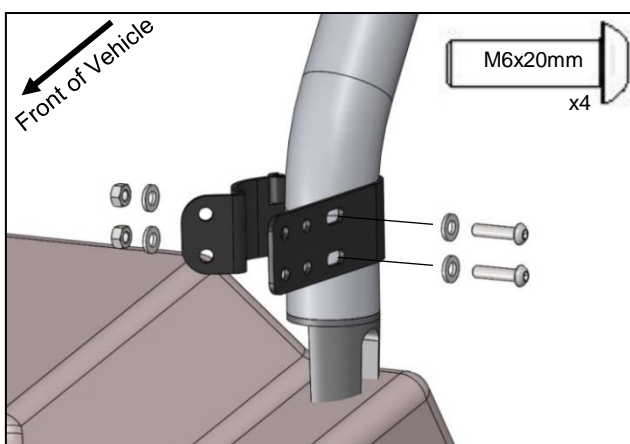


3. Attach the two front clamps to the bumper mount using (4) M6 x 16mm bolts, (2) washers and (4) locknuts. Make sure all clamp levers open away from the vehicle.

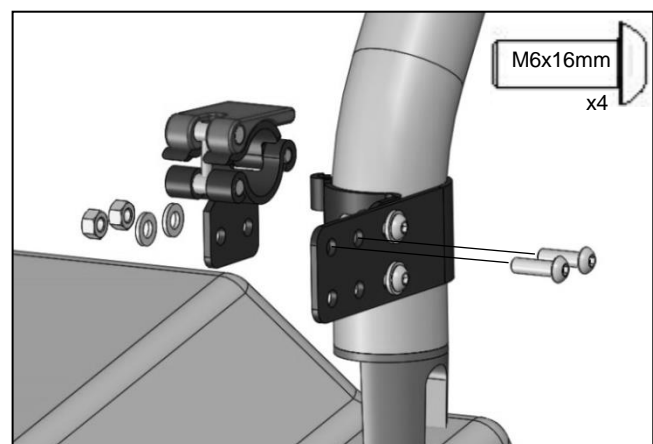


4. Set the mount on the bumper and securely tighten using (2) M8x20mm Hex Bolts, 4 washers, and two M8 Lock Nuts. It may be helpful to remove the plastic grill above the bumper (secured with two torx bolts) for easier access to the nuts. If you have midsize ranger, see note above.

Rear Bracket and Clamp Assembly

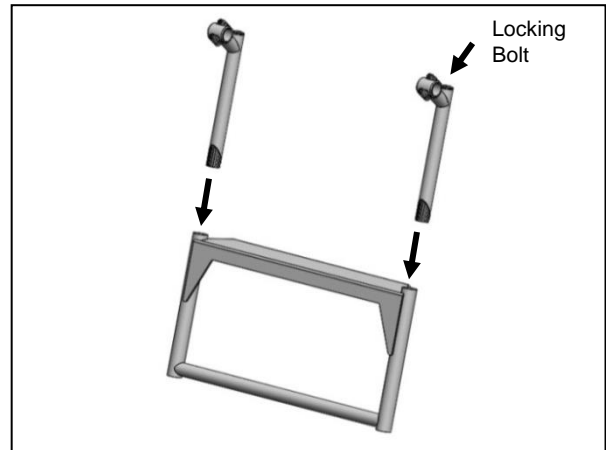
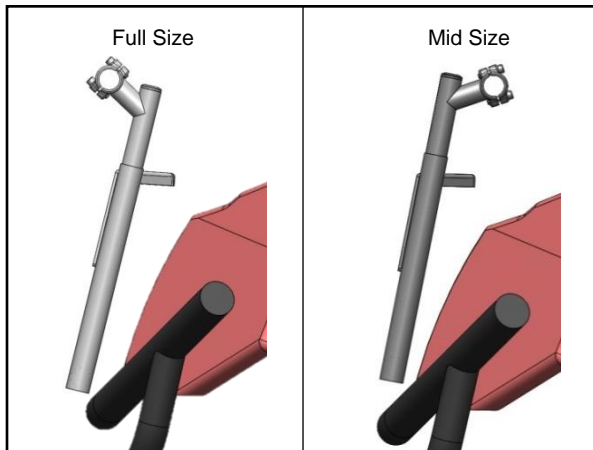


5. Install the Hood Rack Brackets (F) to the front roll cage with two M6 x 20mm socket head bolts, (4) washers and (2) locknuts for each side. Point the bracket towards the front of the vehicle. Do not fully tighten bolts yet as you may need to adjust when you put the basket in place.



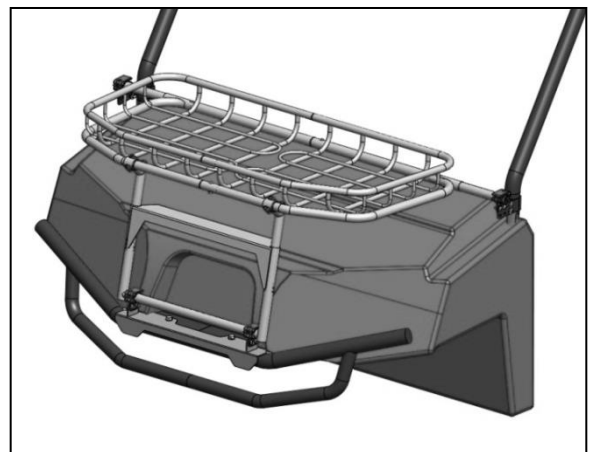
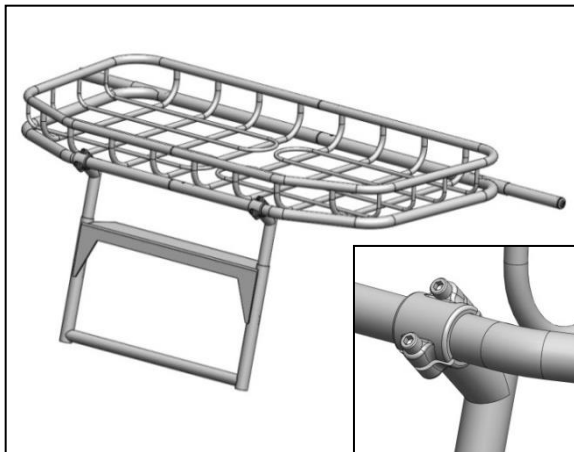
6. Attach the Rear Clamp (E) to the Hood Rack brackets using (2) M6 x 16mm bolts, (2) washers, and (2) locknuts as shown above. The clamps should open towards the front of the vehicle.

Riser assembly

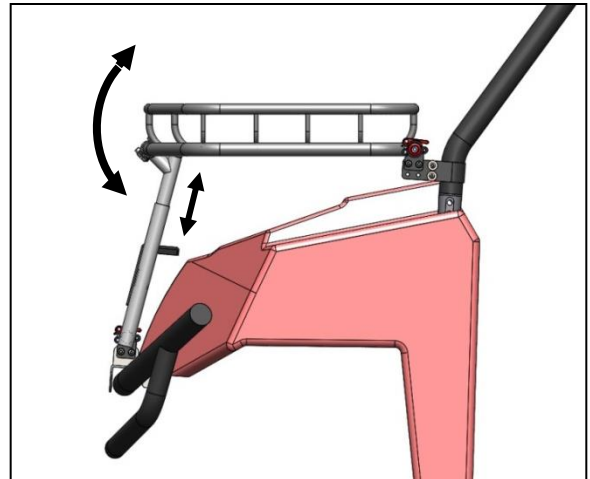
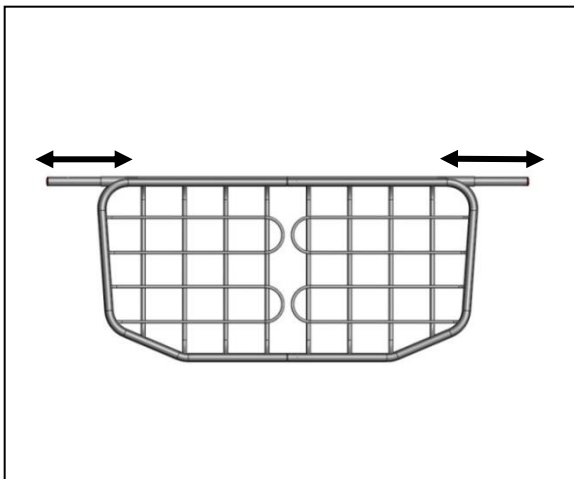


7. The picture above shows the riser orientation for the full size and midsize. Note your vehicle's orientation. Insert the 2 Front riser stems into the front riser/light mounting plate a few inches in. Tighten the locking bolt at the top of the tube just enough to hold the riser stems in place. You will tighten after final assembly.

Basket Installation and Adjustment



8. Attach the assembly to the front of the hood rack and bolt the two front riser caps in place. Snug the cap bolts, but keep them loose enough to allow rotation. Make sure all 4 clamps are open, then set the rack in place.



9. Adjust the width of the extendable tubes (G) so they stick out just past the clamps. The hood rack angle can be adjusted by loosening the bolt on the front riser stems and lifting up or pushing down on the front of the rack. Adjust clamps and brackets as necessary, then tighten all bolts.

Attaching Other Accessories to your hood rack.



Lights or a light bar can be attached to the hood rack by drilling holes in the light mounting plate. We recommend our 13" 60 Watt Seizmik Light Bar with 5,400 Lumen output. Part Number #12037

Congratulations – You have now finished the installation of your Seizmik Hood Rack.

How to get Help - If you have any questions, comments, need assistance, or are missing parts, please call 1-866-838-3366 between 9:00AM and 5:00PM EST. You can email us at support@seizmik.com, visit www.seizmik.com to download installation guides and product info, or contact your powersports dealer where you purchased your Seizmik product if you need additional assistance.